

J1-C, EEC approved (L2e)

Positioning:

The delivery solution for the last mile of the city. Cold chain, takeaway, express delivery, logistics and supermarket distribution, etc., it is the short-distance cargo transportation vehicle within the city.



定位:

城市最后一公里的配送解决方案。冷链，外卖，快递，同城物流及超市配送等，极具性价比的城市内部短途货物运输车辆。

3 wheels, 1 seat

三轮，一座

Size: 2715x1180x1810mm

尺寸: 2715x1180x1810mm

The size of cargo box:875*1080*995mm

物流箱尺寸: 875*1080*995mm

The size of hopper:875*1080*370mm

货斗尺寸: 875*1080*370mm

Curb weight:460kg

整备质量: 460kg

Loading capacity :300kg

最大载重: 300kg

Max. speed: 45km/h

最大时速: 45km/h

105Ah lithium battery Max distance 105km ,with fast charge system, full charge in 3 hours;

105Ah 锂电池 最大续航里程 115km, 配备快充,, 充满电时间 3 小时。

Options 206Ah lithium battery Max distance can reach 195km, with fast charge system, full charge in 6 hours.

可选配 206Ah 锂电池 最大续航里程 200km, 配备快充, 充满电时间 6 小时。

Color: White&Silver Red&Silver Blue&Silver Grey&Black

颜色: 白银, 红银, 蓝银, 灰色, 黑色

1. ABS Resin Plastic Cover and painting

Whole cover with ABS Resin plastic , mechanical properties of ABS have excellent comprehensive physical, impact

resistance ,Stability, two-thirds lighter weight than iron parts.

外覆盖件：一体式 ABS 树脂注塑,ABS 具有优良的综合物理和机械性能，较好的低温抗冲击性能。尺寸稳定性。且比铁质件轻三分之二。

Automobile-grade,Robot-painting .

汽车级优质油漆，电脑调漆，专业喷涂设备



2, LED Light System

The integrate LED headlight &rear-light

Turn lights, brake lights, reverse lights. Low power consumption and increase 50% more in light transmittance.

灯光系统:前后远近光一体贯穿式 LED 大灯、转向灯、刹车灯、倒车灯。耗电量低，透光度提升 50%。



3,Front Windshield

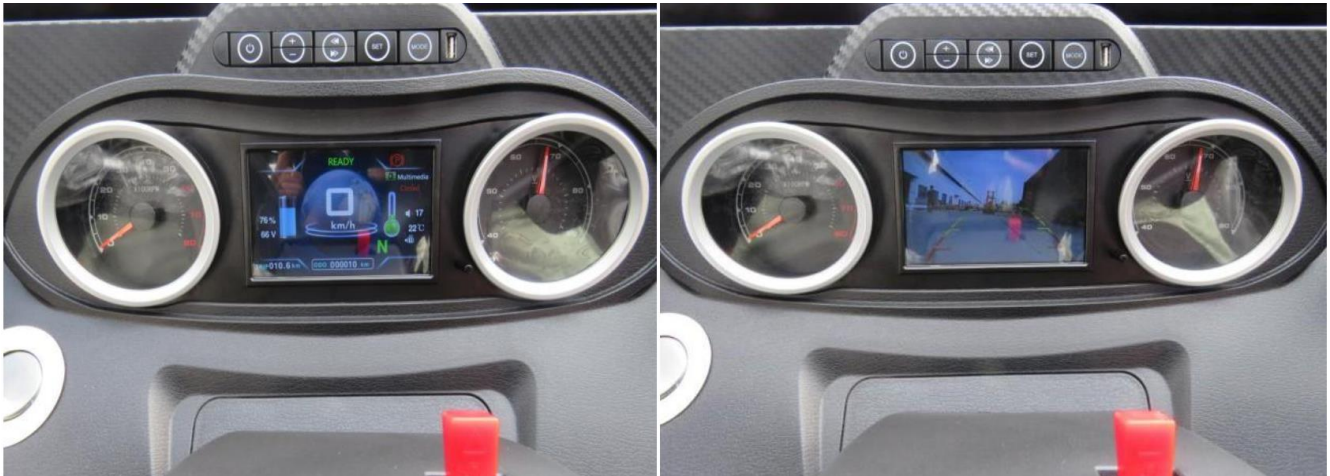
3C certified tempered and laminated glass Improve visual effect and safety performance.

前挡风玻璃：3C 认证钢化夹层玻璃·提高视觉效果和安全性能



4, Dashboard

LED display, volt meter, power meter, kilometer and reverse camera, plus Bluetooth, MP5, USB connector.
 仪表台：整体液晶显示，电压表，电量表、里程表及倒车影像,蓝牙,MP5,USB 接口。



5, Central lock and One button start

Central lock , Press the start button and step the brake pedal at the same time, easy to start the vehicle.
 中控钥匙，一键启动



6,Electric Windows and doors

Two electric control buttons for both sides of the windows

电动门窗

7, Mat on the whole car

地垫



8, Optional Air Conditioner

可选配空调

9, Seat with belt

Genuine Leather with PU,optional rotating seat for easy getting on and off.

座椅:真皮面料+高回弹 PU。选配可旋转座椅，方便上下车。



10.AC Motor (3000W)

AC motor with powerful and water proof, lower noise, no carbon brush, maintenance-free. Equipped with fast home charging system.

电机：交流动力电机，动力强大，低噪声，免维护，从而有效提升续航里程。配有上坡辅助系统。



11.Lithium Iron Phosphate Battery

with BMS system, more than 2,500 times charging cycles(8-10 years) under working environment from -30 to 50 °C. Equipped with hill-start assist control.

电池：磷酸铁锂电池，安全性好，有 BMS 管理系统，可以在-30-50°C的工作环境，循环充放电 2500 次，寿命 8-10 年左右。且配有上坡辅助系统。

Can be remote online monitoring. Automatic power off after full charge.

可监测：

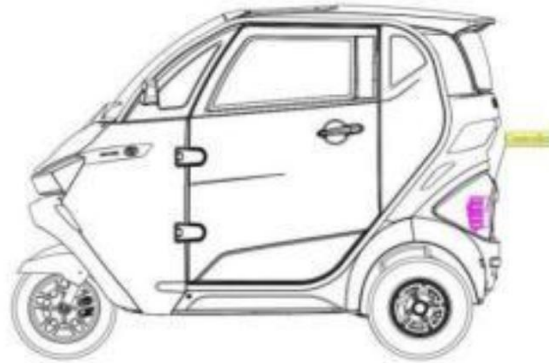
实现远程在线监测，可通讯，充满自动停止。



12. Electronic Control System

Use En-power electric control system , reliable and water-proof

电控系统:采用英博尔电控系统, 可靠性高及防水。



13. Brake System

Front-disc Rear-disc,two-circuit hydraulic brake.

制动系统: 前碟后鼓式双回路液压制动。



14. Suspension System

The front axle and suspension are independent suspensions, simple structure and excellent stability. The integrated rear axle, axle housing welded by seamless steel tube, lower noise, more durable and reliable.

悬挂系统:前桥及悬挂为独立悬挂, 结构简单, 稳定性好。后桥为整体式后桥、无缝钢管焊接桥壳, 噪音低, 可

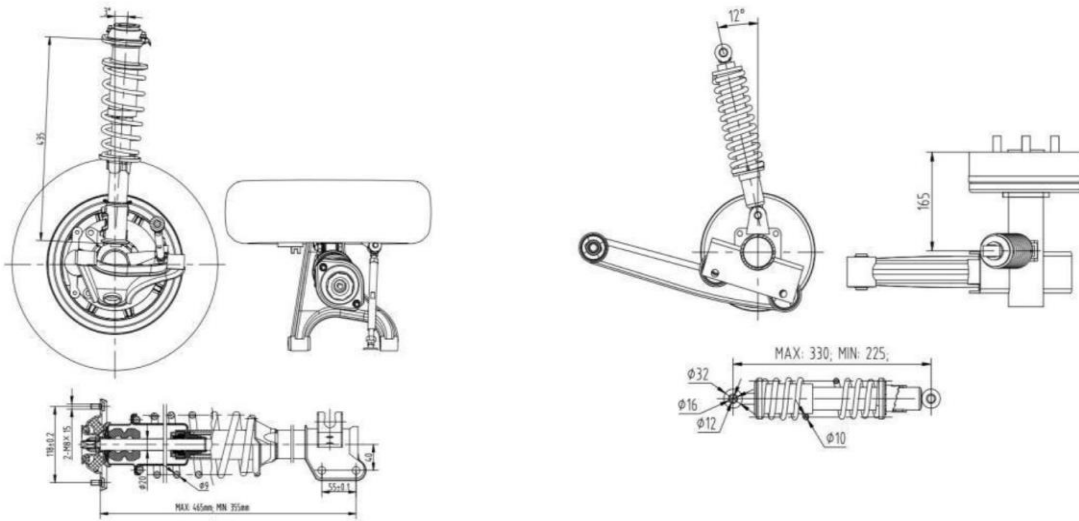


Runhorse

山东锐马新能源车辆有限公司

Shandong Runhorse electric vehicles Co.,Ltd.

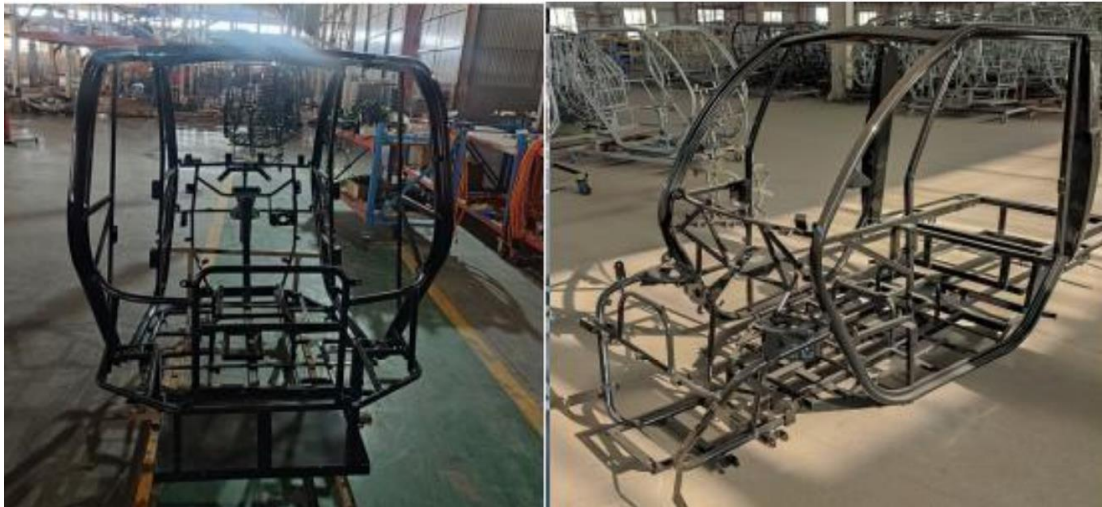
靠。



15.Frame&Chassis

GB Standard Steel, under pickling, Photostating and corrosion-resistant treatment

车架及底盘：采用国标钢材，整体表面经酸洗磷化耐腐蚀处理



Two kinds of Cargo Box for choose:

两种货箱可供选择:

1, Logistics Box

PC 储物箱

Size:875*1080*995mm

1, Cargo Box --BF: basalt fiber

货箱-玄武岩纤维

Size:875*1080*995mm

It is a new type of inorganic environmental protection with high-performance , can be directly degraded in the environment after being discarded. With excellent properties such as electrical insulation, corrosion resistance and high temperature resistance.

是一种无机绿色高性能材料且废弃后可直接在环境中降解.具有电绝缘、耐腐蚀、耐高温



2,Optional Cargo Box-Equip with cooling system and heating system.

可选配货箱-配备制冷制热系统。

Size:875*1080*995mm

Cooling system design for fruit,vegetable, seafood, drinks, medicine transportation, Adjustable refrigeration temperature from -18°C~10°C

为水果，蔬菜，海鲜，饮料，药品运输设计了制冷系统，可调节制冷温度-18°C到 10°C。

Heating system design for takeaway , adjustable heating temperature from 40°Cto 60 °C. Cargo box can be divided to two space, one for cooling and one for heating.

为外卖派送设计了制热系统，可调节温度 40°C到 60°C。一个箱子也可以分割成制热制冷箱。顾客可根据需求调节温度， 来很好的保护运输的食品或药品。

3, Aluminium alloy hopper

铝合金车斗：

Size:875*1080*370mm

After heat treatment and alloying strengthening.

经过热处理强化及合金化强化，其强度会大幅增加



Advantage

1. Save Cost

CKD (Completely Knocked Down) assembly reduce and save customs duty & transportation cost

节约成本：非常简单的可以实现当地 CKD 组装，降低关税，降低运输成本。



2. Save time

Fast charger within 4-5 hours under home charger

节约时间：可以用家用电源实现 4-5 小时快充。



3. Car sharing system

Customers can download the APP, scan the QR code on the vehicle, Users can pay the cost directly online .The company can manage all vehicles through the phones.

客户下载 APP，扫描车辆上的二维码后可以使用，并通过线上或者信用卡可以直接使用的费用支付。公司通过后台可以管理所有的车辆。

